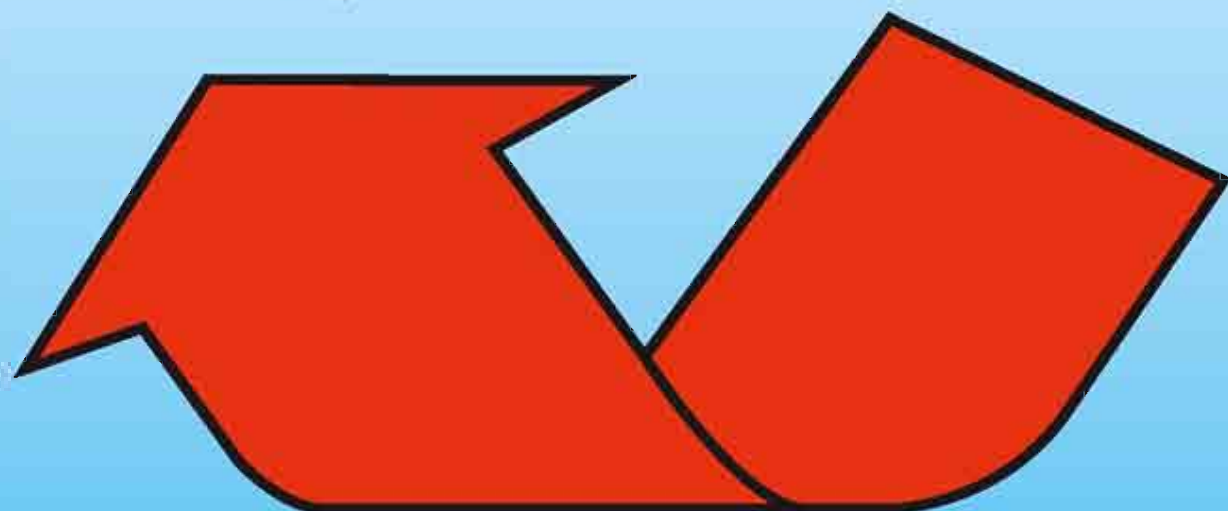
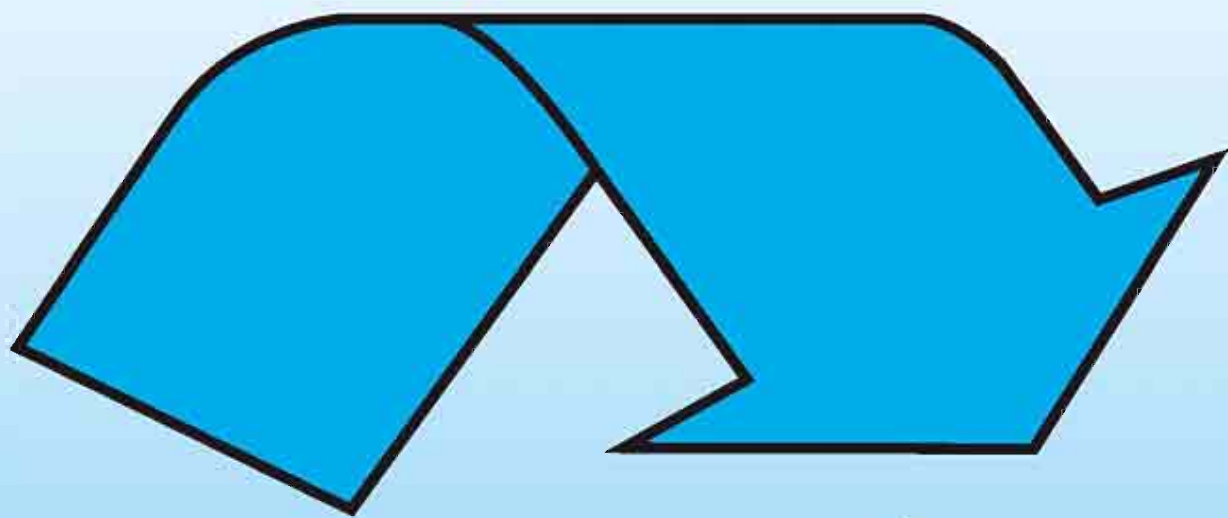


**componenti per condizionamento e refrigerazione**  
**refrigeration and A/C components**



**OCTOBER 2019**

**N A M A**  
**G R O U P**

**ROTARY COMPRESSORS**  
**ON-OFF AND INVERTER**  
**MINI COMPRESSORS**

[www.namasrl.eu](http://www.namasrl.eu)

[sales@namasrl.eu](mailto:sales@namasrl.eu)

# PRODUCTS RANGE

ROTARY COMPRESSORS QXR SERIES  
ON-OFF R290  
440 W ÷ 1200 W



ROTARY COMPRESSORS QX SERIES  
ON-OFF R134a  
275 W ÷ 1305 W



ROTARY COMPRESSORS QXA SERIES  
ON-OFF R410a  
365 W ÷ 1250 W



MINI ROTARY COMPRESSORS  
WITH INVERTER BLDC R134a  
130 W ÷ 550 W



ISO 9001



RoHS



CB

# ROTARY COMPRESSORS QXR SERIES

## ON-OFF R290

### Characteristics and Applications

Rotary compressor QXR series is an high-efficient compressor which use R290 refrigerant and is suitable for the dehumidifier, clothes dryer, small window machine, high precision CNC machine tool cooling system, servers, etc.

The characteristics are as follows:

1. The fill of refrigerant charge reduced, low cost.
2. Compressor more environmentally friendly and economical.
3. High COP, compressor more energy-efficient.

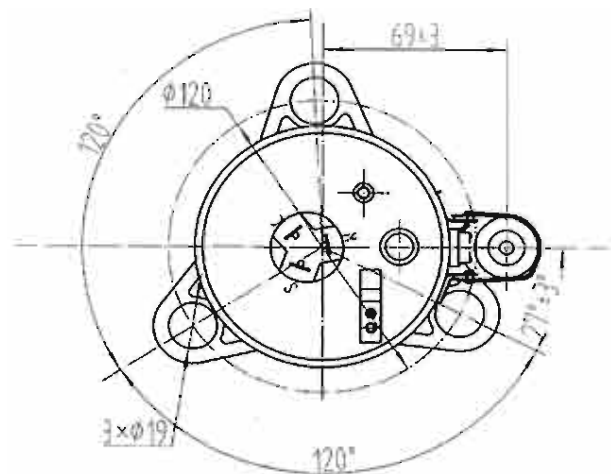
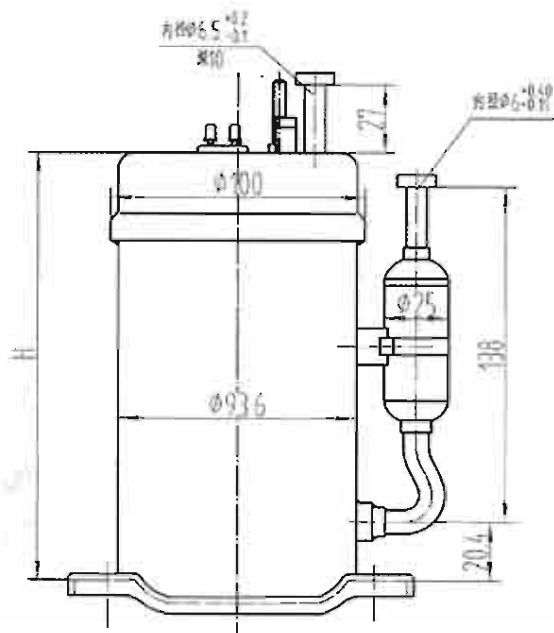
### Main Technical Parameters

- Condensating Temperature 54,4 °C
- Evaporating Temperature 7,2 °C
- Ambient Temperature 35 °C
- Suction Temperature 35 °C
- Subcooling Temperature 46,1 °C



Rif.	Model	Power supply V/Hz	Displac. [cc]	Capacity		COP [W/W]	Noise [dB]	Capacitor [μF]	Outer diam. [mm]	Heigh [mm]
				[BTU/h]	[W]					
	QXR-032H	220-240/50	3,20	1500	440	2,20	48	6	93,60	155
	QXR-051H	220-240/50	5,10	2438	715	2,49	51	8	93,60	165
	QXR-055H	220-240/50	5,50	2558	750	2,50	51	7	93,60	170
	QXR-059H	220-240/50	5,90	2761	810	2,70	51	8	93,60	183

### DIMENSIONS



# ROTARY COMPRESSORS QX SERIES

## ON-OFF R134A

### Characteristics and Applications

Rotary compressor QX series is an high-efficient, rolling and rotor compressor which use R134a refrigerant and is suitable for the refrigeration system like the dehumidifier. This kind of compressor has innovative design and sophisticated making.

The characteristics are as follows:

1. Compact structure, small dimension and low weight.
2. High COP: the compressor's COP value can reach more than 2.
3. Low noise, small vibration: the improved muffler and dynamic balance greatly reduce the motion noise and vibration.
4. High reliability: rolling movement form, small friction power consumption, small abrasion, high reliability and long life.

### Main Technical Parameters

- Condensing Temperature 54,4 °C
- Evaporating Temperature 7,2 °C
- Ambient Temperature 35 °C
- Suction Temperature 35 °C
- Subcooling Temperature 46,1 °C



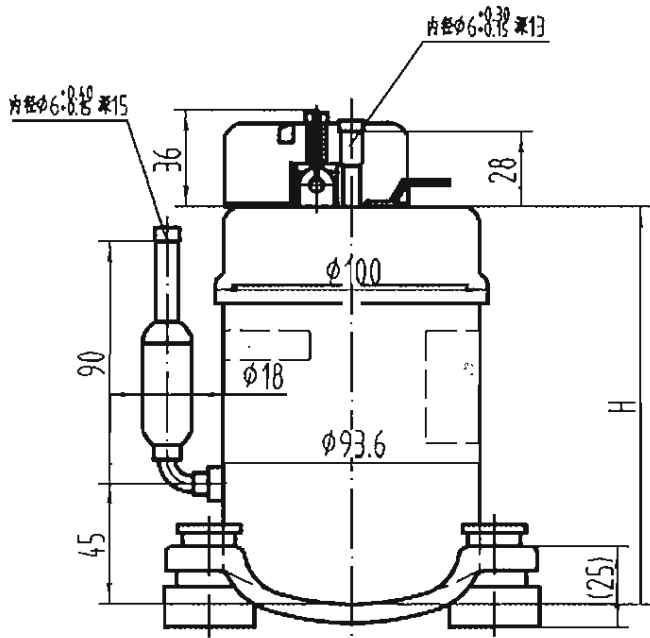
### H SERIES

Rif.	Model	Power supply V/Hz	Displac. [cc]	Capacity		COP [W/W]	Noise [dB]	Capacitor [µF]	Outer diam. [mm]	Heigh [mm]
				[BTU/h]	[W]					
1	QX28H	220-240/50	2,80	938	275	2,20	48	4	93,60	151
1	QX36H-G1	220-240/50	3,60	1245	365	2,31	48	5	93,60	151
1	QX50H	220-240/50	5,00	1773	520	2,26	51	6	93,60	160
1	QX65H-G1	220-240/50	6,50	2354	690	2,60	51	7	93,60	170
1	QX725H	220-240/50	7,25	2695	790	2,60	48	7	93,60	175
2	QX95H	220-240/50	9,50	3512	1030	2,70	51	10	93,60	190
3	QX110H	220-240/50	11,00	4450	1305	2,96	62	12	107,00	205

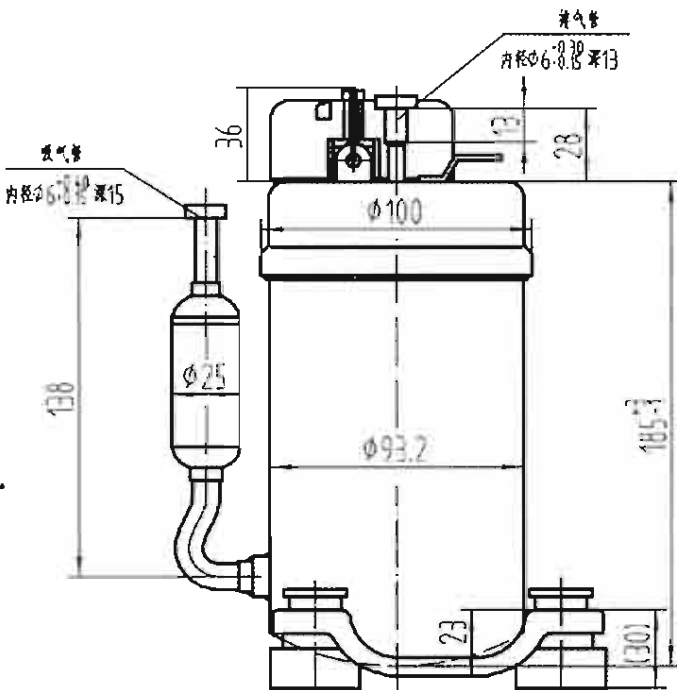
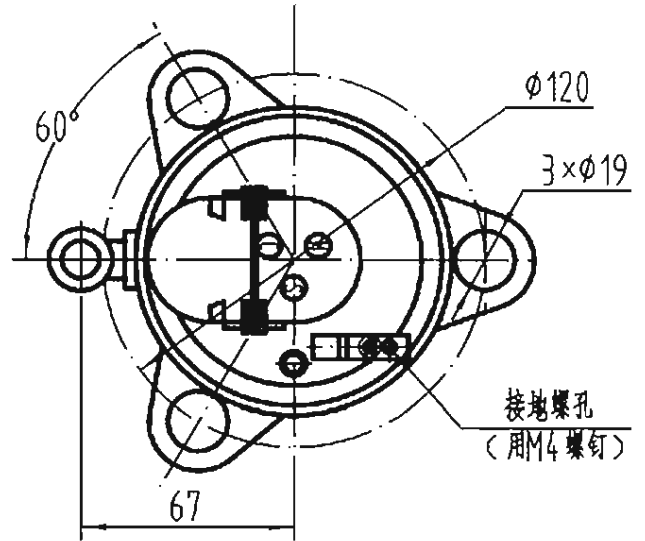
### E SERIES, 220/1/50-60

Rif.	Model	Power supply V/Hz	Displac. [cc]	Capacity		COP [W/W]	Noise [dB]	Capacitor [µF]	Outer diam. [mm]	Heigh [mm]
				[BTU/h]	[W]					
1	QX36HE	220/1/50/60	3,60	1501	440	2,44	48	5	93,60	151
1	QX65HE	220/1/50/60	6,50	2797	820	2,44	51	7	93,60	175

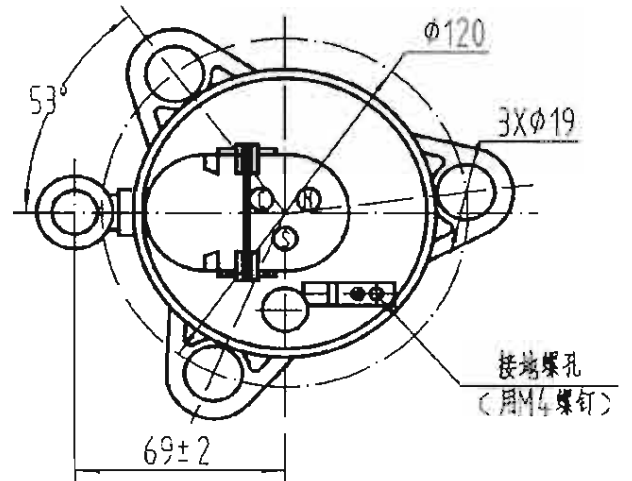
# DIMENSIONS QX SERIE



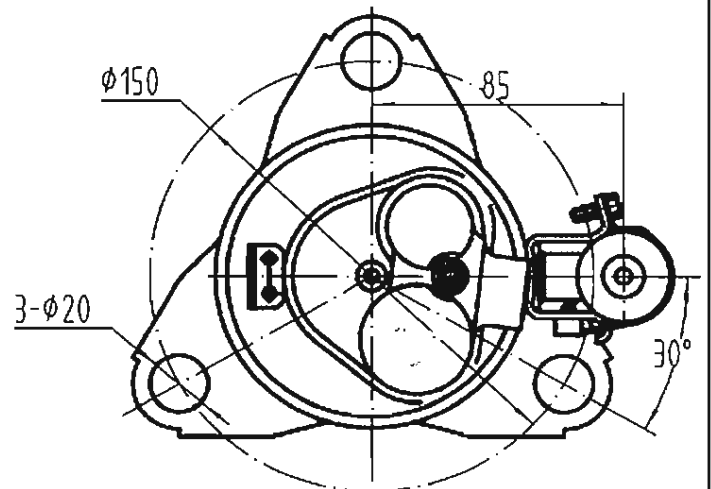
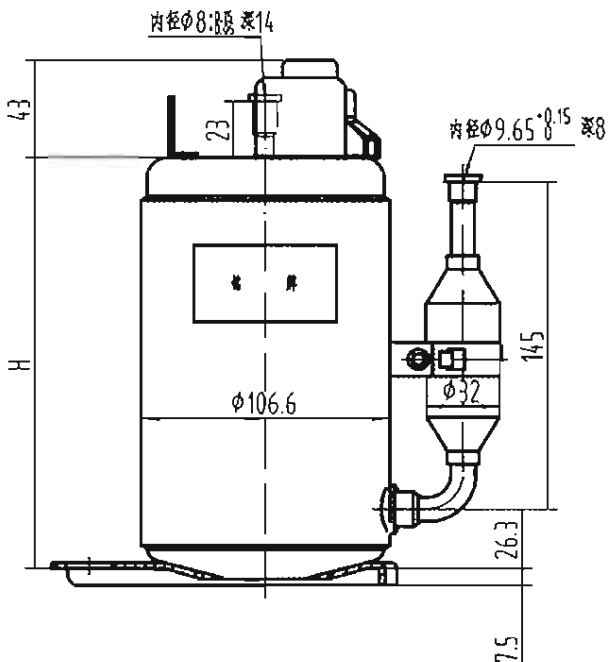
1



2



3



# ROTARY COMPRESSORS QXA SERIES

## ON- OFF R410a

### *Characteristics and Applications*

Rotary compressor QXA series is an high-efficient compressor for R410a refrigerant and is suitable for the dehumidifier, clothes dryer, small window machine, high precision CNC machine tool cooling system, servers, etc.

The characteristics are as follows:

1. High precision accessories and high cooling efficiency
2. Compact structure, small dimension and low weight.
3. Pump body accessories and motor has been optimized design.
4. Using ester synthetic refrigeration oil.

### *Main Technical Parameters*

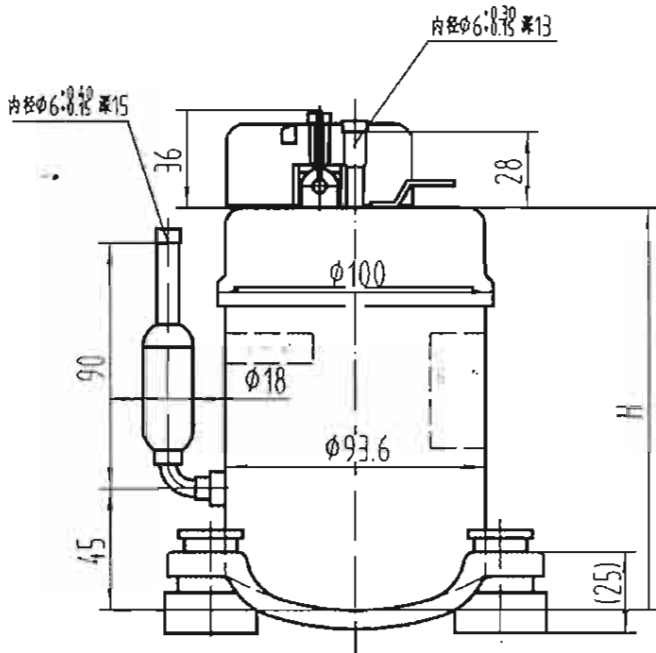
- Condensing Temperature 54,4 °C
- Evaporating Temperature 7,2 °C
- Ambient Temperature 35 °C
- Suction Temperature 35 °C
- Subcooling Temperature 46,1 °C



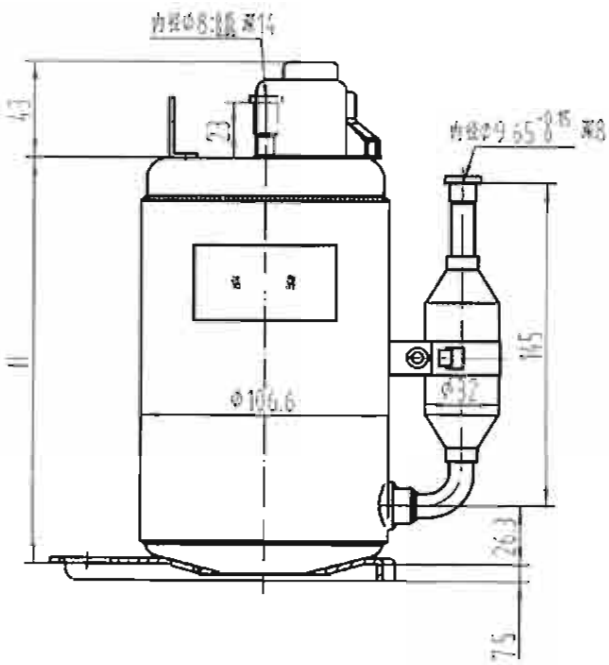
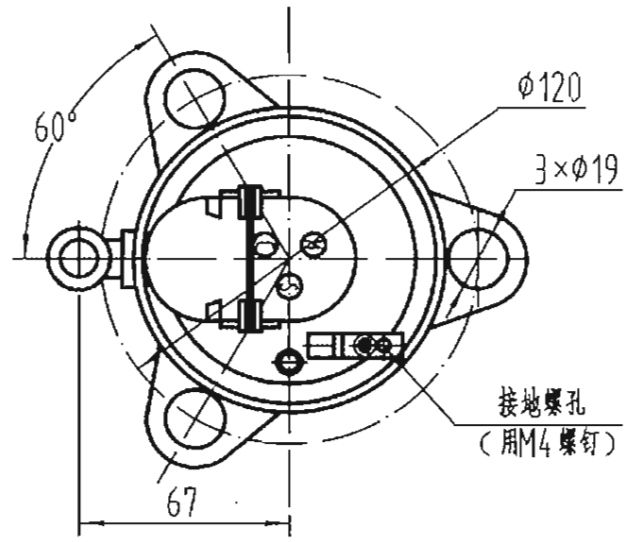
### *H SERIES*

Rif.	Model	Power supply V/Hz	Displac. [cc]	Capacity		COP [w/w]	Noise [dB]	Capacitor [μF]	Outer diam. [mm]	Heigh [mm]
				[BTU/h]	[W]					
1	QXA-016H	220-240/50	1,60	1245	365	2,00	48	5	93,60	151
1	QXA-019H	220-240/50	1,90	1484	435	2,04	48	6	93,60	151
1	QXA-031H	220-240/50	3,10	2217	650	2,10	48	7	93,60	168
1	QXA-036H	220-240/50	3,60	2694	790	2,30	51	9	93,60	172
1	QXA-042H	220-240/50	4,20	3207	940	2,41	51	10	93,60	180
2	QXA-053H	220-240/50	5,30	4265	1250	2,70	62	12	107,00	192

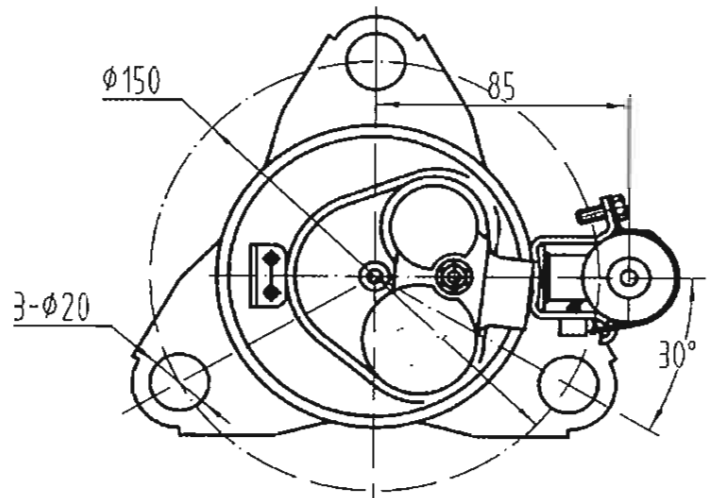
# DIMENSIONS QXA SERIE



1



2



# MINI ROTARY COMPRESSORS

## INVERTER DC R134a

### Characteristics and Applications

Hermetic and rotary compressor of mini series is a RE DC inverter high efficient compressor for R134a refrigerant. This kind of compressor is the smallest rotor compressor in the world which is suitable for the small refrigeration system such as car-refrigerator, beer machine, telecommunications cabinet cooling, municipal road LED lamp cooling, high precision CNC cooling system, etc. The characteristics are as follows:

1. Small dimension, low weight and can be used for portable devices.
2. Adjustable speed and cooling capacity.
3. Low noise and low vibration.
4. High refrigerating speed.

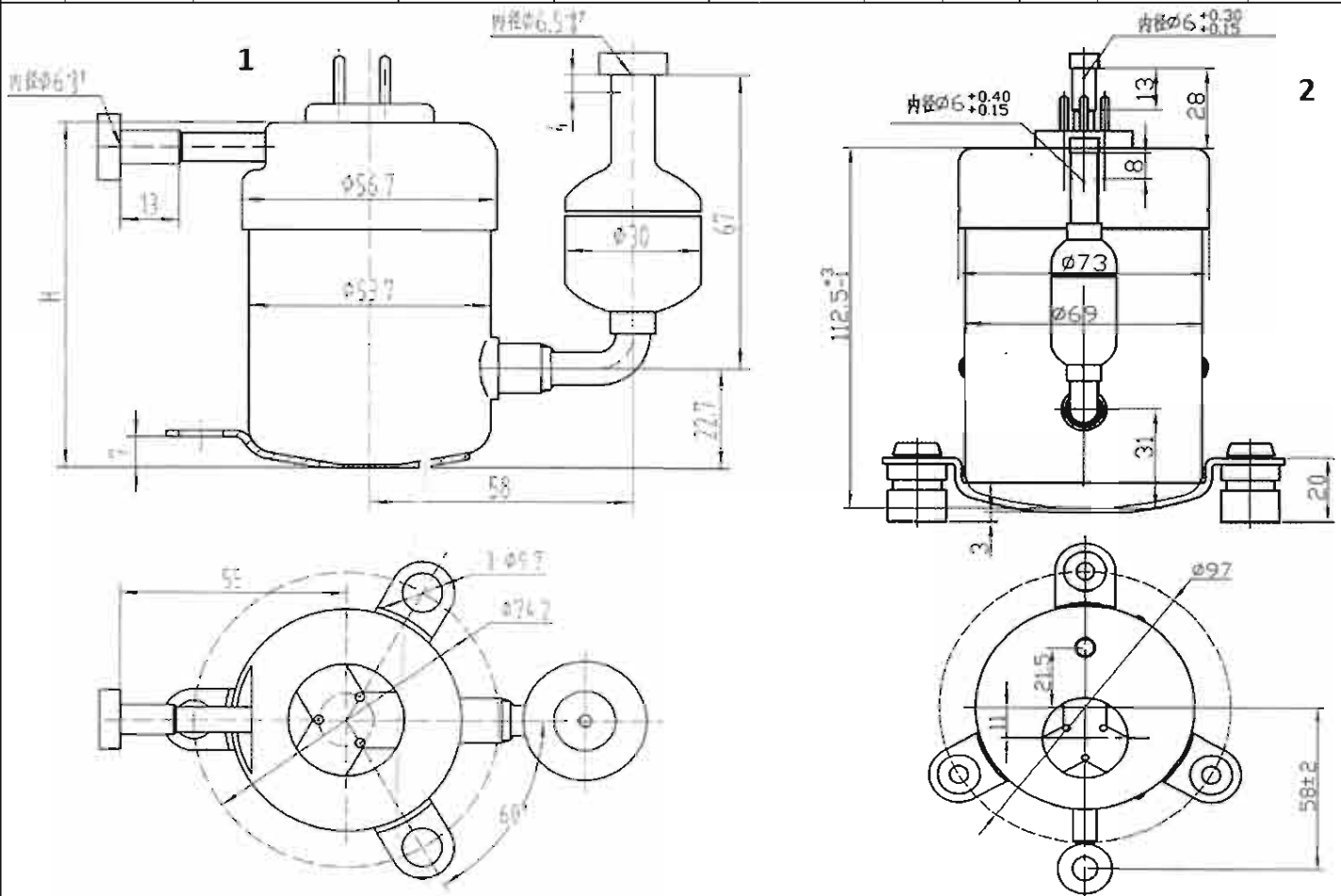
### Main Technical Parameters

- Condensation Temperature 54,4 °C
- Evaporation Temperature 7,2 °C
- Ambient Temperature 35 °C
- Suction Temperature 35 °C



### H SERIES

Rif.	Model	Power supply [V]	Displac. [cc]	Motor type	Capacity	COP [w/w]	Noise [dB]	Outer diam. [mm]	Heigh [mm]
					[W]				
1	QX19-24	24	1,90	BLDC	130-400	1,2~3	48	56,70	78,7
1	QX19T-24	24	1,90		130-455	1,2~3	48	56,70	92,2
1	QX19-12	12	1,90		130-400	1,2~3	48	56,70	78,7
2	QX325-24	24	3,25		300-550	2~2,2	48	69,00	112,5







*KLIMAX SYSTEM  
RECONA  
COOL CLIMA*



*COMPRESSOR SPECIALIST  
HVAC DIVISION*

VIA ERBA, 98 - 20037 PADERNO DUGNANO (MILANO)

Tel. +39 02 66304888

[www.namasrl.eu](http://www.namasrl.eu) - [sales@namasrl.eu](mailto:sales@namasrl.eu) [account@namasrl.eu](mailto:account@namasrl.eu)